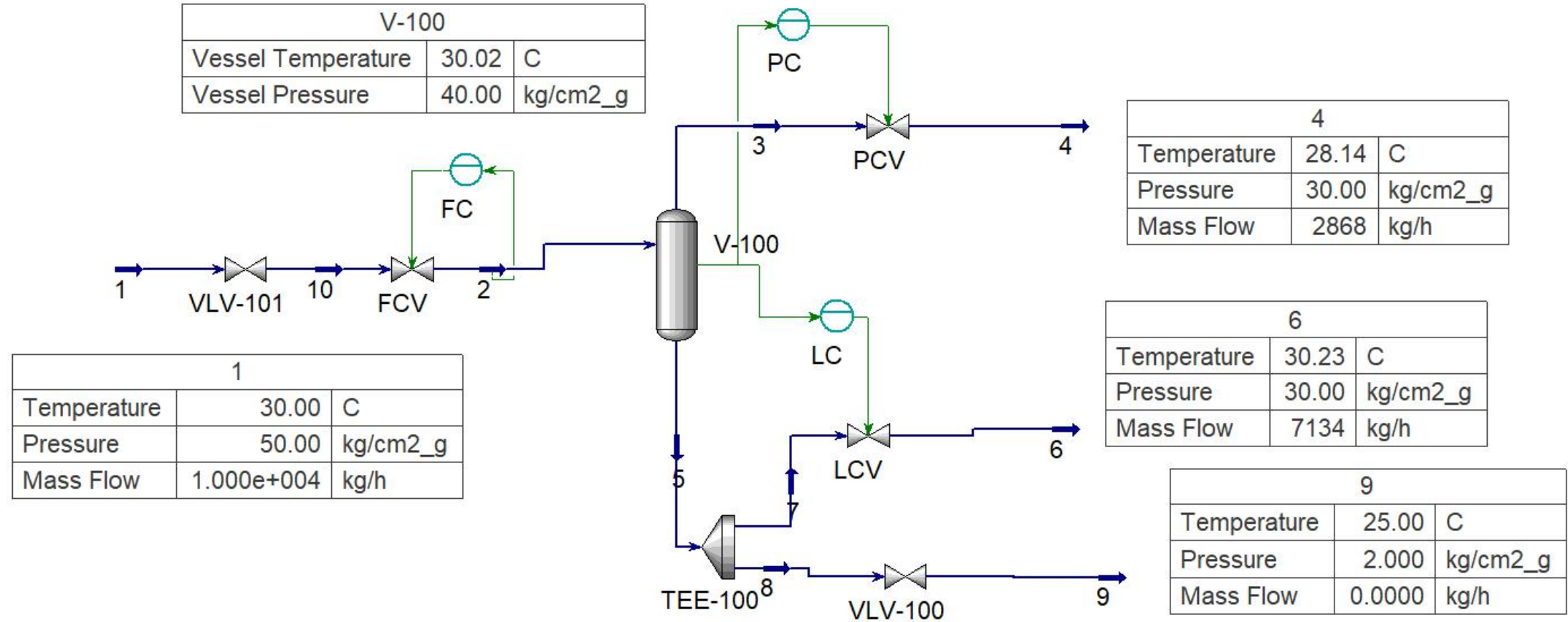




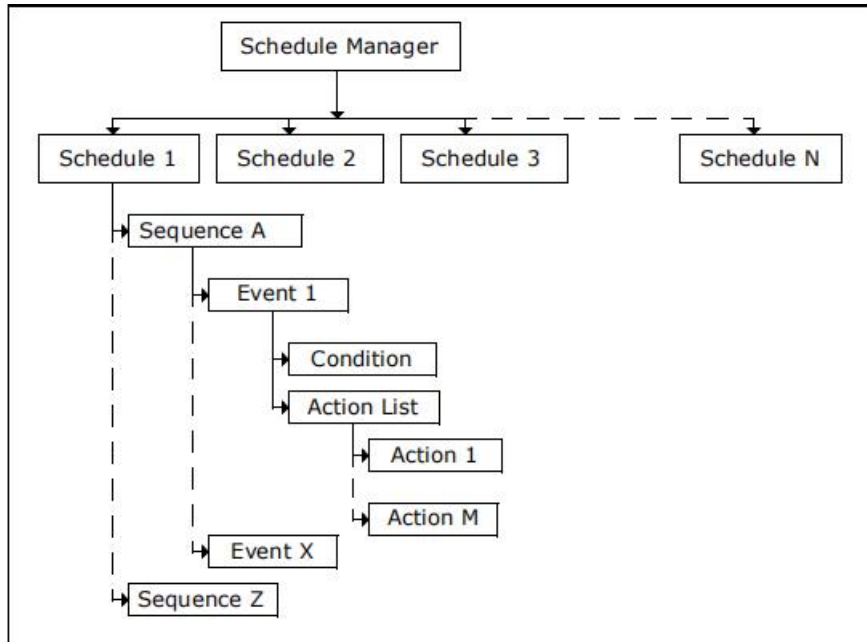
Simple Event Scheduler in Aspen HYSYS

Zulfan Adi Putra, PEng, PEng

Event Scheduler



Event Scheduler



Flowsheet Case (Main) - Solver Active x Strip Charts x **Event Scheduler** x +

Schedule Options

Add...
Copy...
Delete...
Import...
Export...
Sort...

Smart Tree
 Multi Events

Legend

- Complete
- Fully Specified
- ⏸ Holding
- ⚠ Inactive
- Incomplete
- ⏸ Running
- ⌚ Time Elapsed
- ⏸ Waiting

Trace Messages

Schedule of Events Settings

#	Event	Specif	Condition	Action List	Jump When	Jump To
1	LCV Open	True	LCV open	lcv open	Never	
2	Level drops	True	level drop	close feed	Never	

View...
Add...
Delete
Copy
Sort...
Analyze

Bypass Valve (here, wrongly named as LCV open) open

The screenshot shows the configuration window for the event 'LCV Open of Sequence A of Schedule 1'. The 'Condition' tab is active. Under 'Wait For...', the option 'A Specific Simulation Time' is selected. The 'Wait Until' field is set to '000:05:0.0 (h:m:s)'. The 'Logical 'IF' Expression' field is empty, and the 'Syntax State' is 'Incomplete'. Below this is a table for 'Variables for Logic Expression' with columns for Tag, Object, Description, Current Value, and Units. At the bottom, the 'Event Options' section has 'Force' and 'Skip' buttons. The status bar shows 'Name: LCV Open', 'Condition Name: LCV open', and a pink 'Running' indicator.

The screenshot shows the configuration window for the event 'LCV Open of Sequence A of Schedule 1'. The 'Action List' tab is active. The 'List Of Actions For This Event' table contains one entry: 'LCV open' with a checked 'Enable' checkbox. To the right are 'Add', 'Delete', 'Copy', and 'Sort...' buttons. The 'Individual Action Specification' section shows 'Name: LCV open', 'Type: Specify Variable', 'Value: 100.0', 'Object: VLV-100', and 'Description: Valve Current Position'. The 'Current Value' is '0.0000' with units '%'. At the bottom, the status bar shows 'Name: LCV Open', 'Action List Name: lcv open', and a pink 'Running' indicator.

If Level drops to 30%, close feed

Level drops of Sequence A of Schedule 1

Condition Action List Branching & Time Out Behaviour

Wait For...

- The Logic to Evaluate True
- An Elapsed Amount of Time
- A Specific Simulation Time
- A Variable To Stabilize

True For (h:m:s)

Count Up 000:00:0.0

Logical 'IF' Expression

Var1 < 30

Expression Help... Syntax State Complete

Variables for Logic Expression

Tag	Object	Description	Current Value	Units
Var1	V-100	Liquid Percent Level	50.00	%

Add Variable... Delete Variable

Event Options

Force Skip

Name **Level drops** Condition Name **level drop** Waiting

Level drops of Sequence A of Schedule 1

Condition Action List Branching & Time Out Behaviour

List Of Actions For This Event

Enable	Action Name
<input checked="" type="checkbox"/>	Feed close

Add Delete Copy Sort...

Individual Action Specification

Name **Feed close**

Type **Specify Variable**

Configuration

Value **0.0000** Increment Only

Object **VLV-101** Select Target...

Description **Valve Current Position**

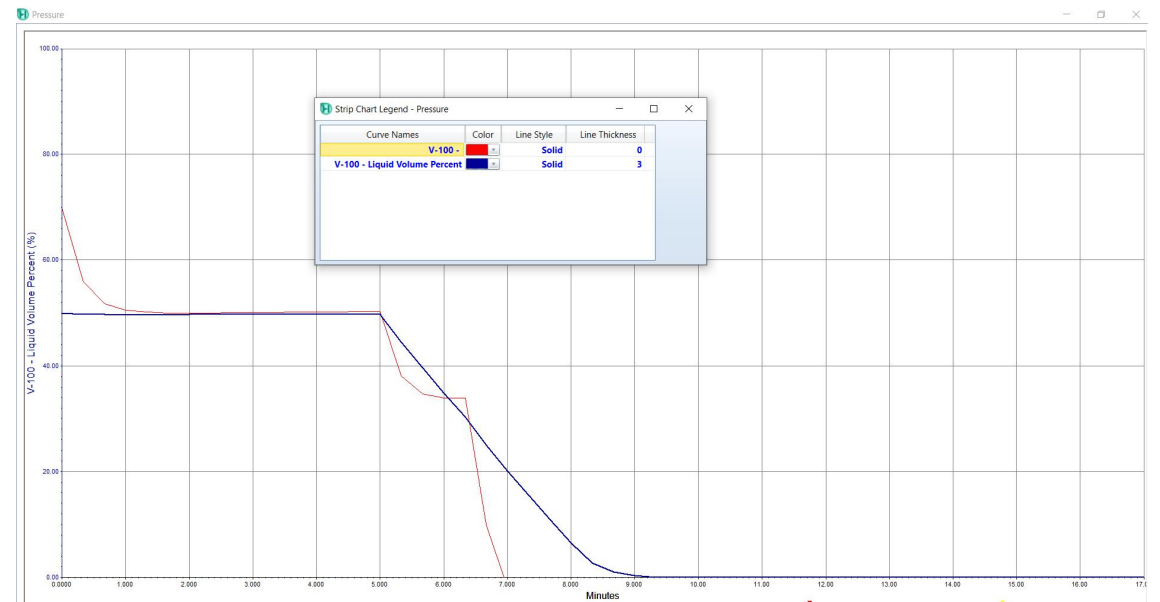
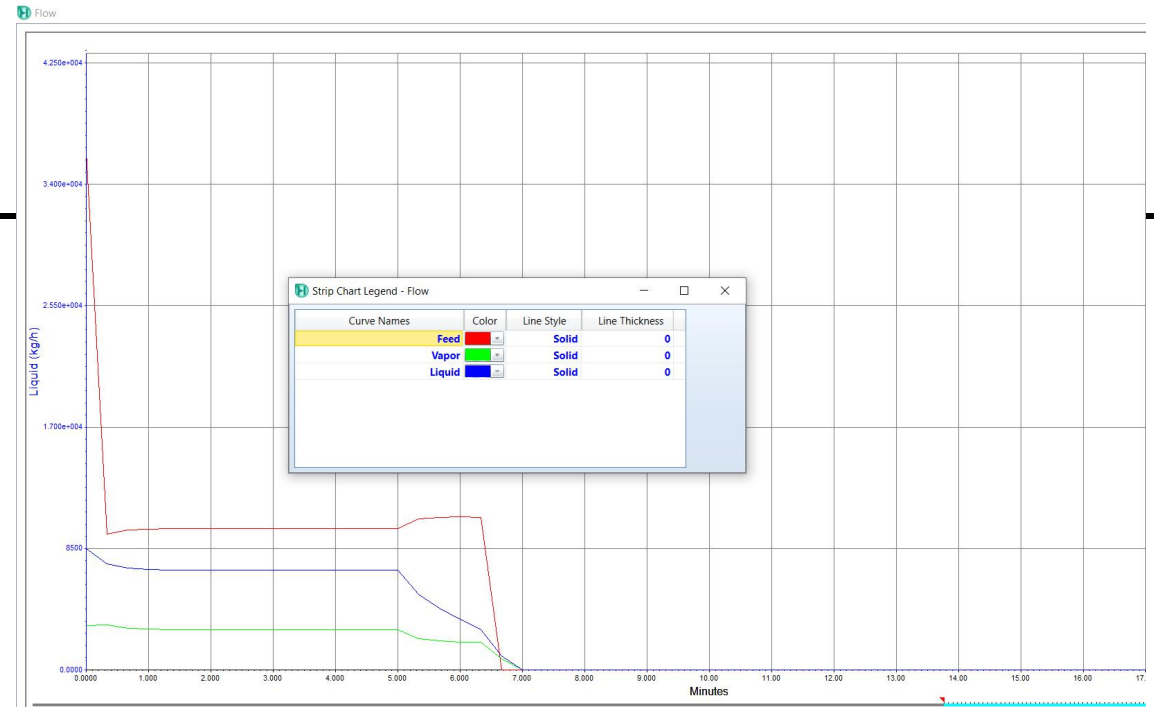
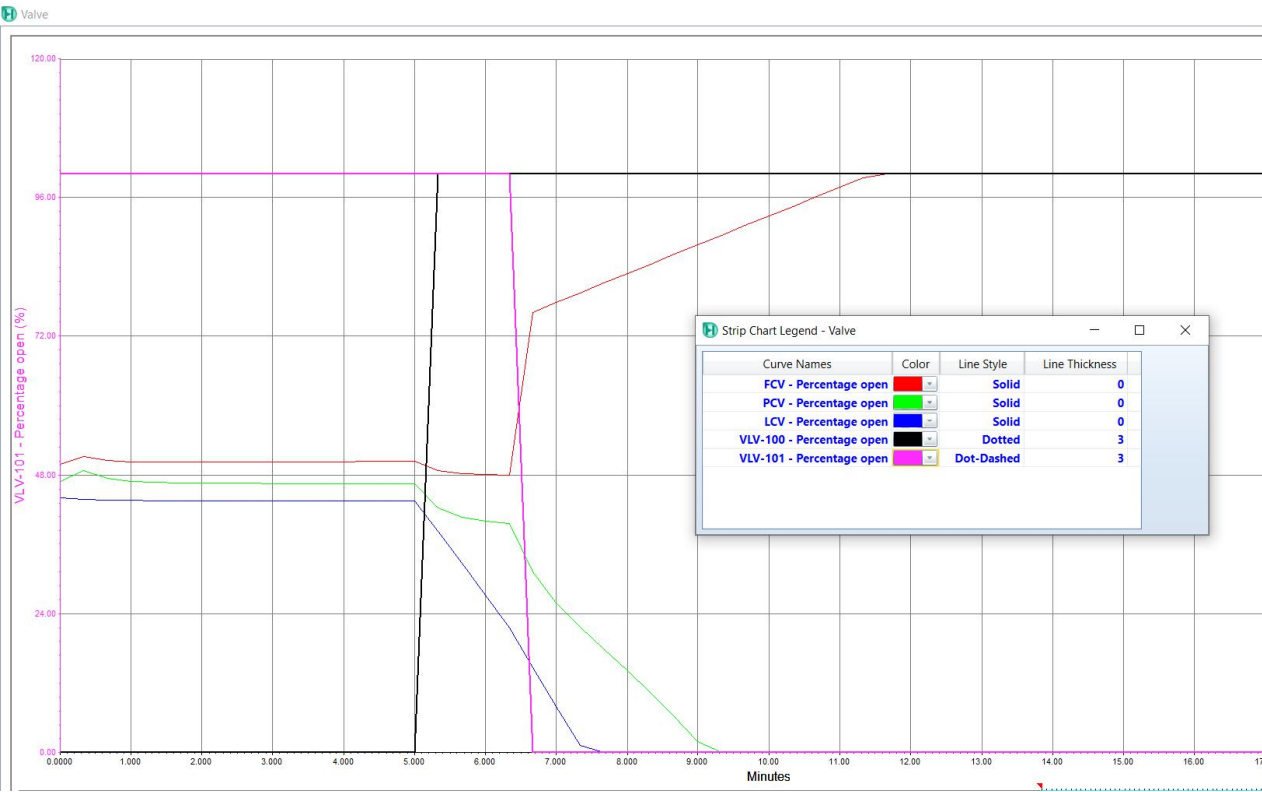
Current Value **100.0** Units **%**

Event Options

Force Skip

Name **Level drops** Action List Name **close feed** Waiting

Results





Simple_v1.hsc

Starting case



Simple_v1-1.hsc
c

Finished case